

## Transparent level gauge type mica

One sight opening, lateral connection, protective LED-light tube

### Application and function

The transparent level gauge is a direct water level gauge with illumination which can be used for steam generators.

In the sight opening, the water level is visible at the interface between water level and steam. The product corresponds to the EU 2014/68/EU.

Applied standards as per EN 13445 / EN 12952 / EN 12953 / AD 2000 or ASME-Boiler.

### Technical basic equipment

- Body material carbon steel
- As left sided (mapped) or right sided model
- Sight lengths see table
- With drain valve and ventilation plug
- Illumination device IP67
- Shutoff valve type A220 and A240
- Drain valve type AV500, AV520

### Available (optional) versions

- Body material according to ASME
- Other drain valve

### Technical data

Allowable pressure	PS [bar]	32	50	80	100	160	200
Allowable temperature	TS [° C]	239	265	296	312	348	367
Shutoff valve	Type	A220		A240			
	Data sheet	D-09-D-16356-1		D-09-D-16357-1			
Drain valve	Type	AV500	AV520				
	Data sheet	D-09-D-16358-0					

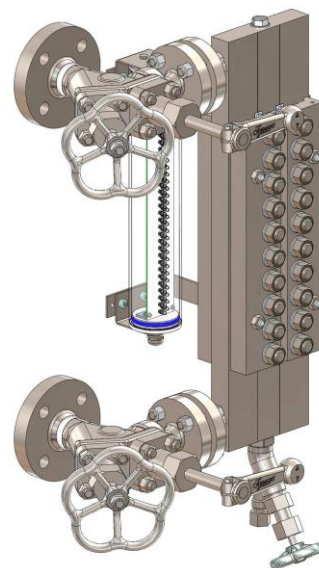
### Illumination

Protective LED-light tube

IP67 230V / 50Hz oder 110-120V / 60Hz

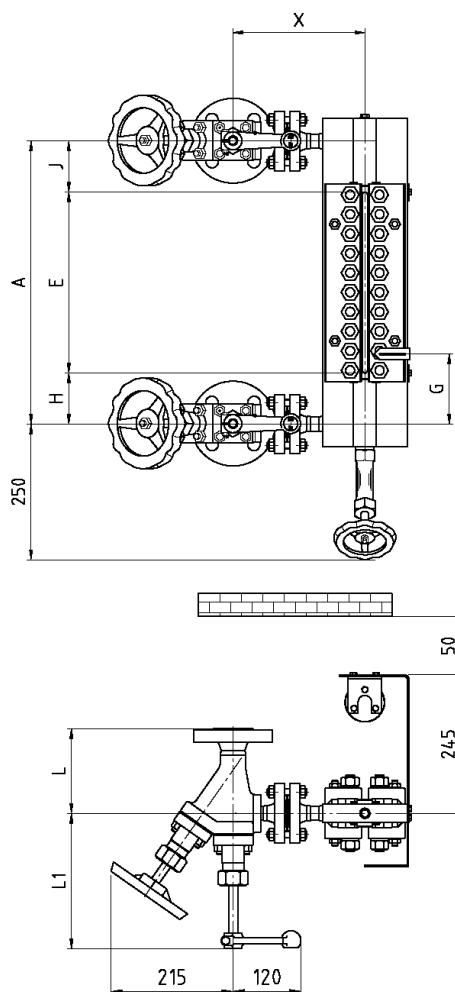
Without switch box D-A1-D-18931-0

With standard switch box D-A1-D-20722-0

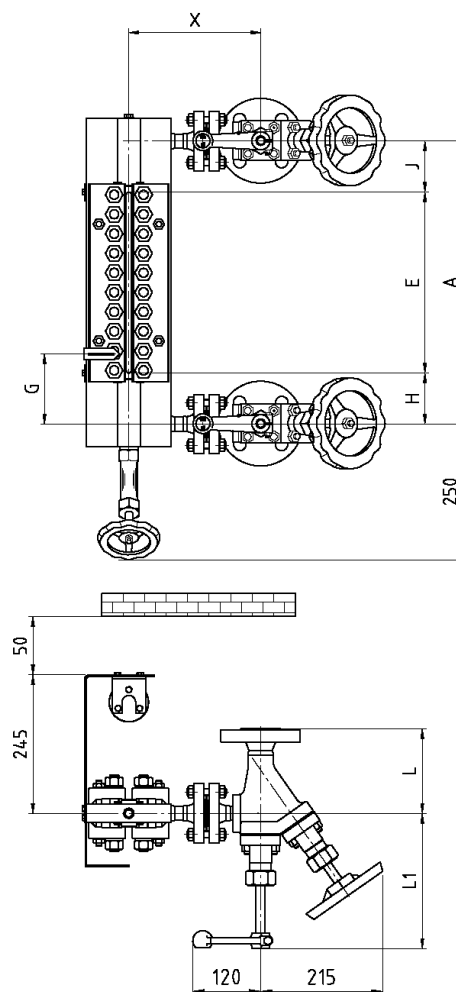


Dimensions and tables

Left sided model



Right sided model



Size		7	8	9	10	11
Sight length	E	260	290	320	340	380
Dimension	H/J <sub>min</sub> [mm]	25				
	H/J <sub>max</sub> [mm]	on request				

Other sizes on request



Information:  
Depending on the size and version of the level gauge the customer has to arrange a sufficient brace support (eg. spring suspension etc.)



Allowable pressure PS [bar]	Valve	Flange	L [mm]	Welding end/ Socket welding	L [mm]	X [mm]	L1 [mm]
32	A220	DN20	170	DN20		210	175
50	A150	DN25	130	DN25		220	175
80	A150	DN 25	130	DN25	130	220	175
80	A220	DN25	160	DN25	150/160	235	175
100	A240	DN25	145	DN25	150/160	245	240
160	A240	DN25	155	DN25	150/160	300	240
200	A240	DN25	170	DN25	150/160	300	240

