

## Transparent Level Gauge PS32 / PS120

Type: TG32, TG120

### Application & Function

The Transparent Level Gauge is a direct water level indicator with illumination device mainly used for steam boilers and/or Pressure vessel. The level is clearly visible at any time thanks to the brilliant and durable LED-backlight.

This product is in accordance to EU-directive 2014/68/EU Art. 4 (3) good engineering experience. Applied policy EN13445; EN12952; EN12953 and ASME-Boilers.

### Technical Basic Equipment

- Main Body in Carbon Steel
- Left-hand or right-hand model possible
- TG32: Shut-off Valve A120-CS PN 40 / DN20 or DN25
- TG120: Shut-off Valve A140-CS PN 160 / DN20 or DN25
- Drain Valve AV100 / AV250 and Vent Plug
- LED Illumination Device

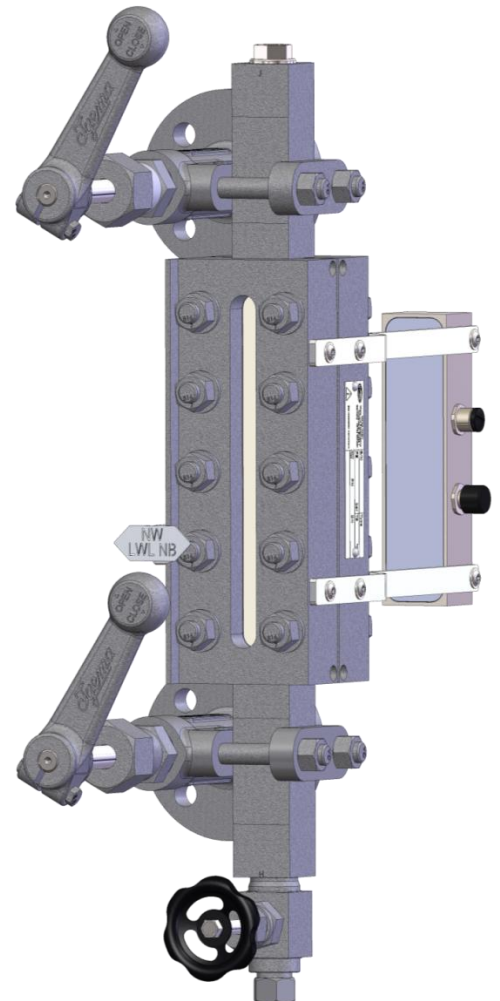
### Options

- Double Shut-off Valve
- Transparent Level Gauge in stainless steel
- Specific process connections
- Optional Drain Valves
- Inclined Version on request

### Technical Data

		TG32		TG120	
Max. Pressure	PS	32bar	464,1 psi	120bar	1740,5 psi
Max. Temp.	TS	239°C	462,2°F	326°C	618,8°F
Shut-off Valve	Type	A120-CS		A140-CS	
Data Sheet		D-09-D-36387-DE-00			
Drain Valve	Type	AV100		AV250	
Data Sheet		D-09-D-34162-DE-00			
Illumination Device		LED - Secure Slim			
Data Sheet		D-A1-D-35999-DE-00			

### Transparent Level Gauge TG



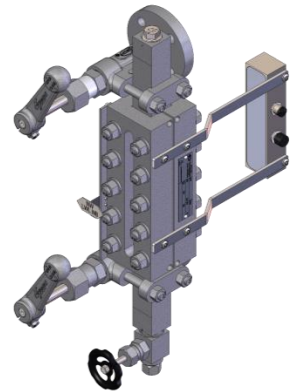
**Available Dimension\***

Single Sight Length

	Size	Visible Lengths (Dimension E)		Process connection length (Dimension A)				Article Number	
				Min.		Max.		TG32	TG120
1	5	200mm	7 7/8 "	280mm	11 "	400mm	15 3/4 "	15-13995	15-13989
2	6	230mm	9 "	310mm	12 1/5 "	430mm	17 "	15-13996	15-13990
3	7	260mm	10 1/4 "	340mm	13 2/5 "	460mm	18 1/9 "	15-13997	15-13991
4	8	300mm	11 4/5 "	380mm	15 "	500mm	19 2/3 "	15-13998	15-13992
5	9	320mm	12 3/5 "	400mm	15 3/4 "	520mm	20 1/2 "	15-13999	15-13993
6	10	350mm	13 7/9 "	430mm	17 "	550mm	21 2/3 "	15-14000	15-13994
7	11	380mm	15 "	460mm	18 1/9 "	580mm	22 5/6 "	15-14270	15-14271

\*Other Dimension on request

Article Number without Illumination Device, Shut off- and Drain Valves



Multiple Offset Sight Length

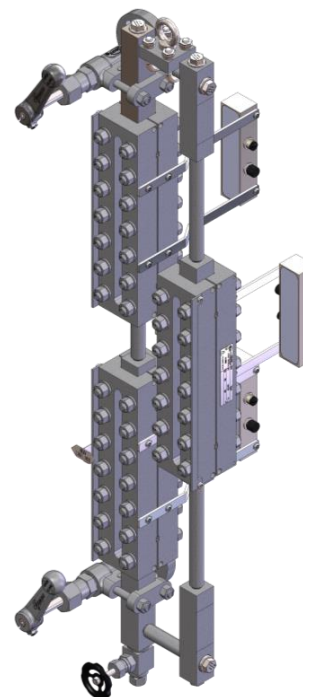
	Sections	Visible Lengths (Dimension E)		Process connection length (Dimension A)				Article Number	
				Min.		Max.		TG32	TG120
1	2	470mm	18 1/2 "	550mm	21 2/3 "	690mm	27 1/6 "	15-14158	15-14139
2	3	610mm	24 "	690mm	27 1/6 "	830mm	32 2/3 "	15-14159	15-14140
3	3	750mm	29 1/2 "	830mm	32 2/3 "	970mm	38 1/5 "	15-14160	15-14141
4	4	890mm	35 "	970mm	38 1/5 "	1110mm	43 5/7 "	15-14161	15-14142
5	4	1030mm	40 5/9 "	1110mm	43 5/7 "	1250mm	49 1/5 "	15-14162	15-14143
6	5	1170mm	46 "	1250mm	49 1/5 "	1390mm	54 5/7 "	15-14163	15-14144
7	5	1310mm	51 4/7 "	1390mm	54 5/7 "	1530mm	60 1/4 "	15-14164	15-14145
8	6	1450mm	57 "	1530mm	60 1/4 "	1670mm	65 3/4 "	15-14165	15-14146
9	6	1590mm	62 3/5 "	1670mm	65 3/4 "	1810mm	71 1/4 "	15-14166	15-14147
10	7	1730mm	68 1/9 "	1810mm	71 1/4 "	1950mm	76 7/9 "	15-14167	15-14148
11	7	1870mm	73 5/8 "	1950mm	76 7/9 "	2090mm	82 2/7 "	15-14168	15-14149
12	8	2010mm	79 1/7 "	2090mm	82 2/7 "	2230mm	87 4/5 "	15-14169	15-14150
13	8	2150mm	84 2/3 "	2230mm	87 4/5 "	2370mm	93 1/3 "	15-14170	15-14151
14	9	2290mm	90 1/6 "	2370mm	93 1/3 "	2510mm	98 5/6 "	15-14171	15-14152
15	9	2430mm	95 2/3 "	2510mm	98 5/6 "	2650mm	104 1/3 "	15-14172	15-14153
16	10	2570mm	101 1/6 "	2650mm	104 1/3 "	2790mm	109 5/6 "	15-14173	15-14154
17	10	2710mm	106 2/3 "	2790mm	109 5/6 "	2930mm	115 1/3 "	15-14174	15-14155

Single Visible Length of offset Transparent level gauges are consisting of Size 5 (E=200mm) and Size 8 (E=300mm).

Notice: Devices with at least three sections must brace on site by the customer!

\* Other Dimension on request

Article Number without Illumination Device, Shut off- and Drain Valves

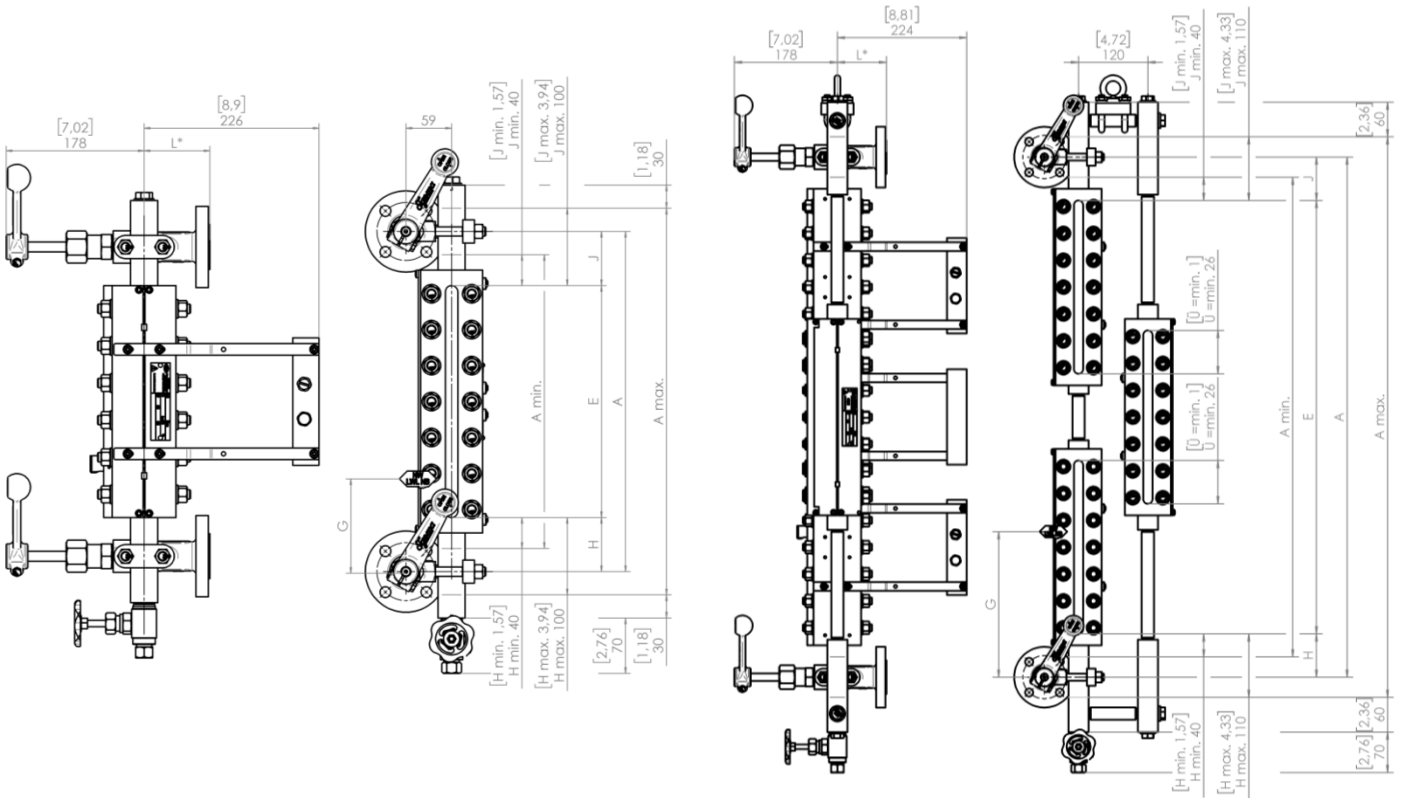


Single Sight Length

Multiple offset Sight Length

Shown as left-handed model

Shown as left-handed model



\*Dimension depends on Process Connection

Equipment

Illustrated Reflex Level Gauges are equipped with Shut-Off Valve type CS, Drain Valve AV100 / AV250 and illumination device LED-Secure Slim.



Shut Off Valve Type CS  
Article Number: see Data Sheet



Drain Valve AV100 / AV250  
Article Number: see Data Sheet



Illumination Device LED-Secure Slim  
Article Number: see Data Sheet



Accessory

Description	Marking	Article-No.
Water Level Mark	NW-LWL-NB	25-13645
Water Level Mark	HHWL	25-13717
Water Level Mark	HWCO	25-13697
Water Level Mark	HWL	25-13716
Water Level Mark	NWL	25-13698
Water Level Mark	LWL	25-13718
Water Level Mark	LWCO	25-13699
Water Level Mark	LLWL	25-13719

Water Level Mark will be attached with two self-tapping screws. Article Number: 40-11121

Water Level Mark – NWL



Spare Parts

Pos.-No.	Description	Size	Article-No.	Quantity
1	Vent Plug G 1/2"	-	40-00329	1*
2	Seal Ring 21 x 26 x 1,5 mm	-	40-00099	1*
<b>Spare Part Set TG32</b>				
3-4	Spare Part Set	5	15-13557	nx1
3-4	Spare Part Set	6	15-13558	-
3-4	Spare Part Set	7	15-13559	-
3-4	Spare Part Set	8	15-13560	nx1
3-4	Spare Part Set	9	15-13561	-
3-4	Spare Part Set	10	15-13566	-
3-4	Spare Part Set	11	15-13567	-
<b>Spare Part Set TG120</b>				
3-5	Spare Part Set	5	15-13067	nx1
3-5	Spare Part Set	6	15-13068	-
3-5	Spare Part Set	7	15-13069	-
3-5	Spare Part Set	8	15-13070	nx1
3-5	Spare Part Set	9	15-13071	-
3-5	Spare Part Set	10	15-13072	-
3-5	Spare Part Set	11	15-13073	-

n = Number of Sight Length.  
 \*Multiple Offset Transparent Level Gauge Pos.-No.: 1&2 are required 5-times  
 Spare Part Set 3-4 consisting of 4 x sealing and 2x Transparent glass.  
 Spare Part Set 3-5 consisting of 4 x sealing, 2x Transparent glass and 2x mica shield.

